

Receiver
From

 Society
 Reference
 Address
 Phone
 Fax
 E-mail

Item n° :

102162192

Model :

JET 300 M-P

Pump data

 Pressure rating : 8 bar (800 kPa)
 Min. fluid temperature : 0 °C
 Max. fluid temperature : 35 °C
 Max. Temperature operating : 40 °C

Priming capacity :

H	m	2	3	4	5	6	7	8
Q	m³/h	4.2	3.72	3.36	3	2.46	1.98	1.5

Requested data

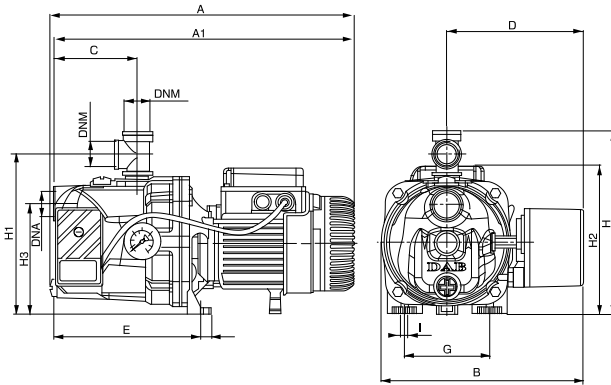
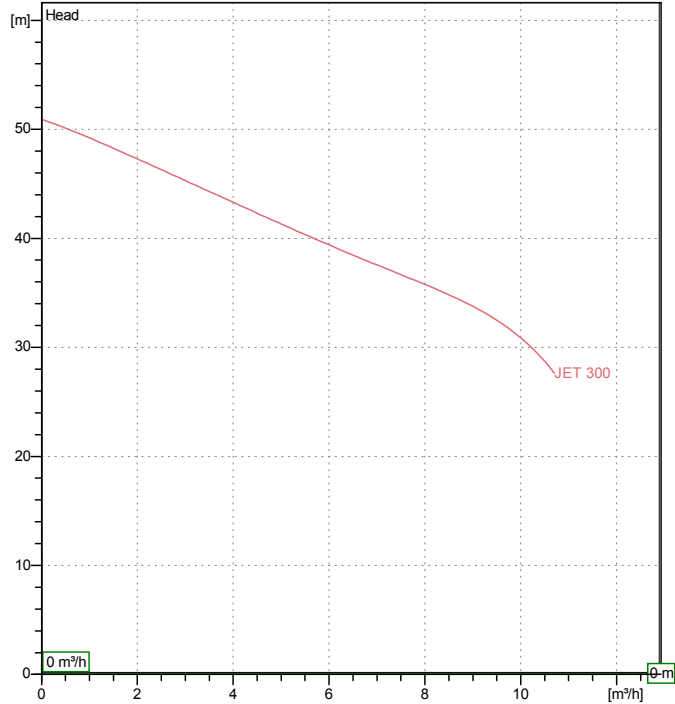
 Flow : 0.00 m³/h
 Head : 0.00 m
 Fluid : Water, pure
 Fluid Temperature : 20 °C
 Density : 998.3 kg/m³
 Kinematic viscosity : 1.005 mm²/s
 Vapor pressure : 100.00 kPa

Hydraulic data (duty point)

 Flow :
 Head :

Materials

 Pump body : Cast iron 200 UNI ISO 185
 Support : Cast iron 200 UNI ISO 185
 Impeller : Technopolymer A
 Mechanical seal : Carbon/Ceramic
 OR ring : NBR Rubber
 Shaft with rotor : AISI 416 X12 CrS 13 UNI 6900/71
 Diffuser : Technopolymer A

Curve tolerance according to ISO 9906

Motor data

 Motor brand : DAB
 Nominal power P2: 2.2 kW
 Rated speed : 2850 rpm
 Rated voltage : 1~ 230 V
 Nominal current : 12 A
 Degree of protection : IP 44

50 Hz

Dimensions in
mm

A	595	D	-	F	20	H2	-
A1	-	DNA	1"1/2 G	G	160	H3	-
B	294	DNM	1"1/4 G	H	275	I	-
C	151	E	282	H1	175	IØ	11

Weight : 31.5 kg

Pump connection

 Suction side : 1 " 1/2 G/ 8 bar (800 kPa)
 Discharge side : 1 " 1/4 G/ 8 bar (800 kPa)



WATER • TECHNOLOGY

PERFORMANCE CURVES

08/12/2014

Page 2 / 3

DAB PUMPS S.p.A.
Via Marco Polo, 14 - 35035 Mestrino (PD), Italy
Tel. +39 049 5125000 - Fax +39 049 5125950
www.dabpumps.com

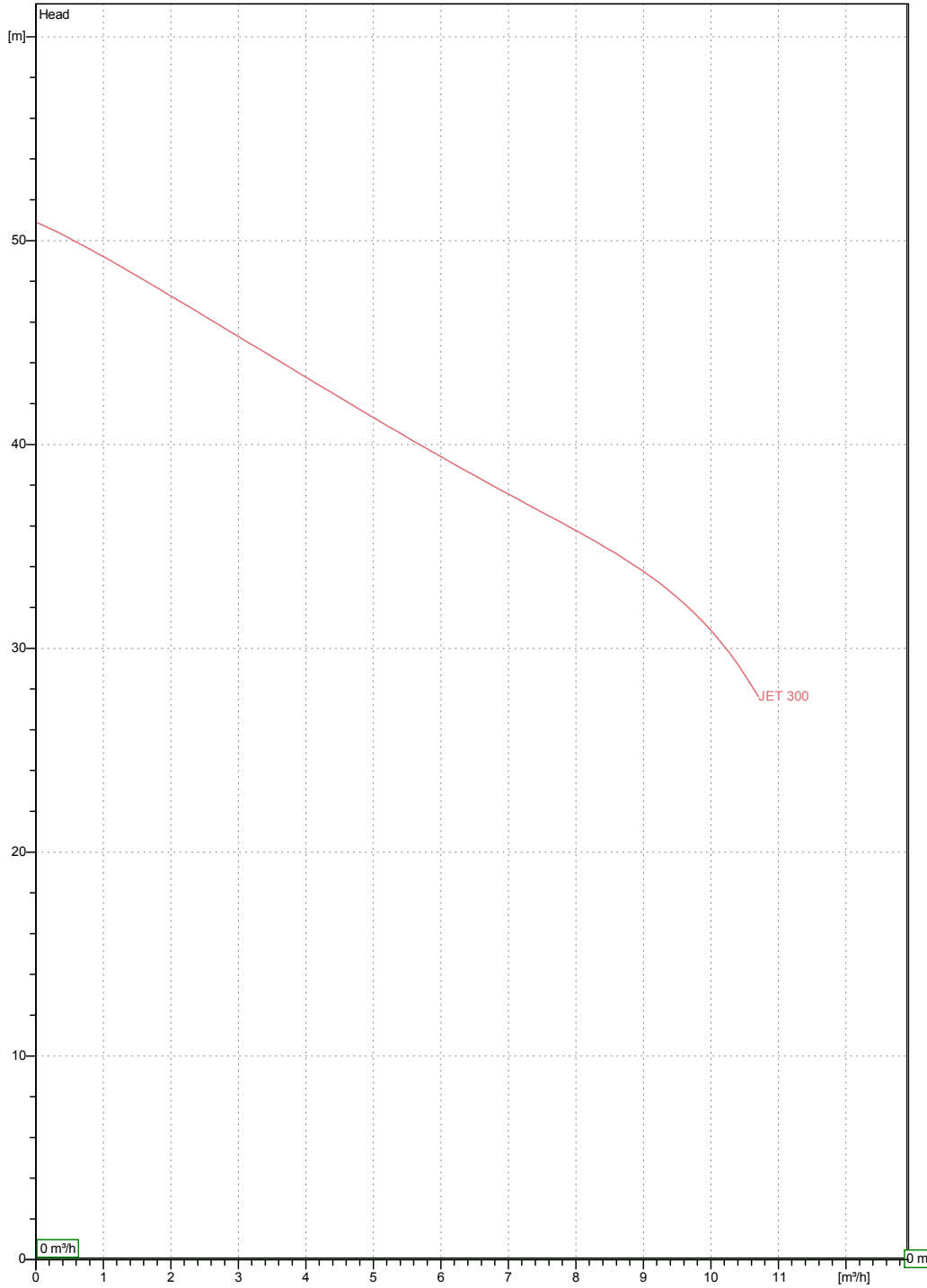
Receiver

From

Society
Reference
Address
Phone
Fax
E-mail

JET 300 M-P

Curve tolerance according to ISO 9906



Hydraulic data (duty point)

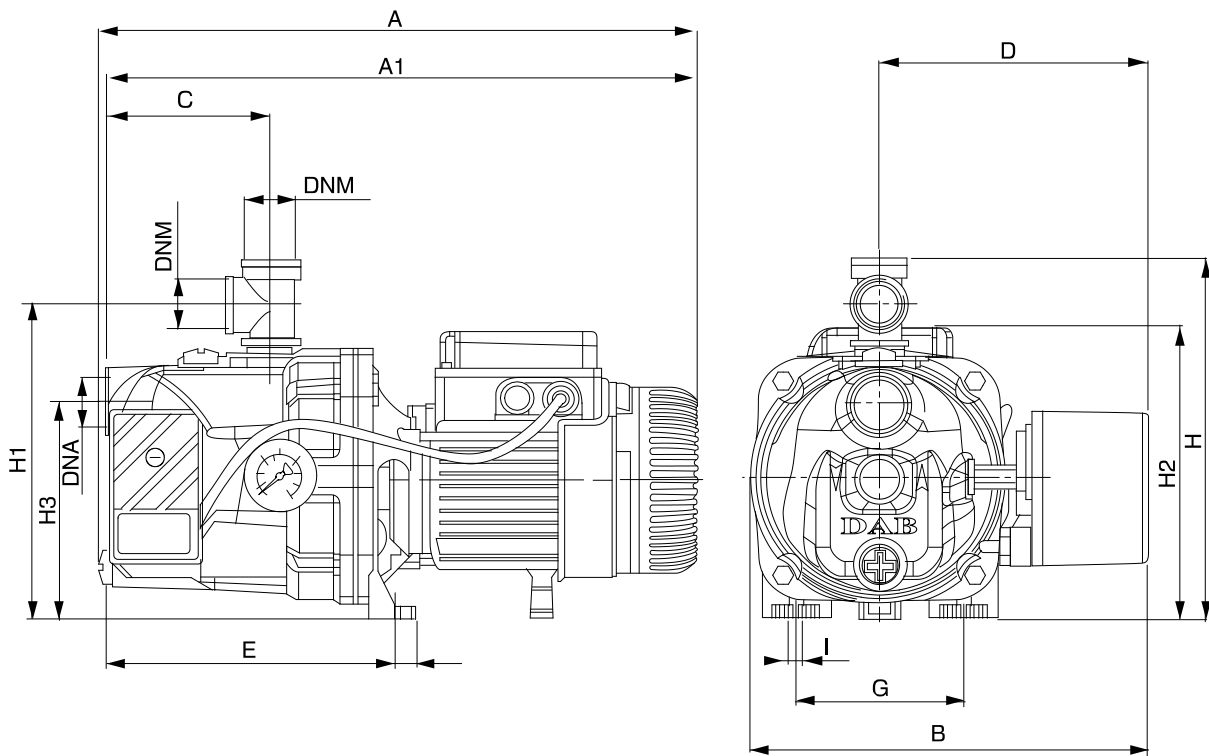
Suction side 1 " 1/2 G 8 bar (800 kPa)	Discharge side 1 " 1/4 G 8 bar (800 kPa)	Flow : 0 m³/h	Head : 0 m	Rated speed : 2850 rpm
Project	Project ID	Created by	Created on 07/12/2014	

Receiver

From

 Society
 Reference
 Address
 Phone
 Fax
 E-mail

JET 300 M-P


Dimensions in mm

1	A	595	H	275		
2	A1	-	H1	175		
3	B	294	H2	-		
4	C	151	H3	-		
5	D	-	I	-		
6	DNA	1"1/2 G	I Ø	11		
7	DNM	1"1/4 G				
8	E	282				
9	F	20				
10	G	160				

Pump connection

Suction
 1 " 1/2 G
 8 bar (800 kPa)

Discharge
 1 " 1/4 G
 8 bar (800 kPa)

Project

Project ID

Created by

Created on

07/12/2014